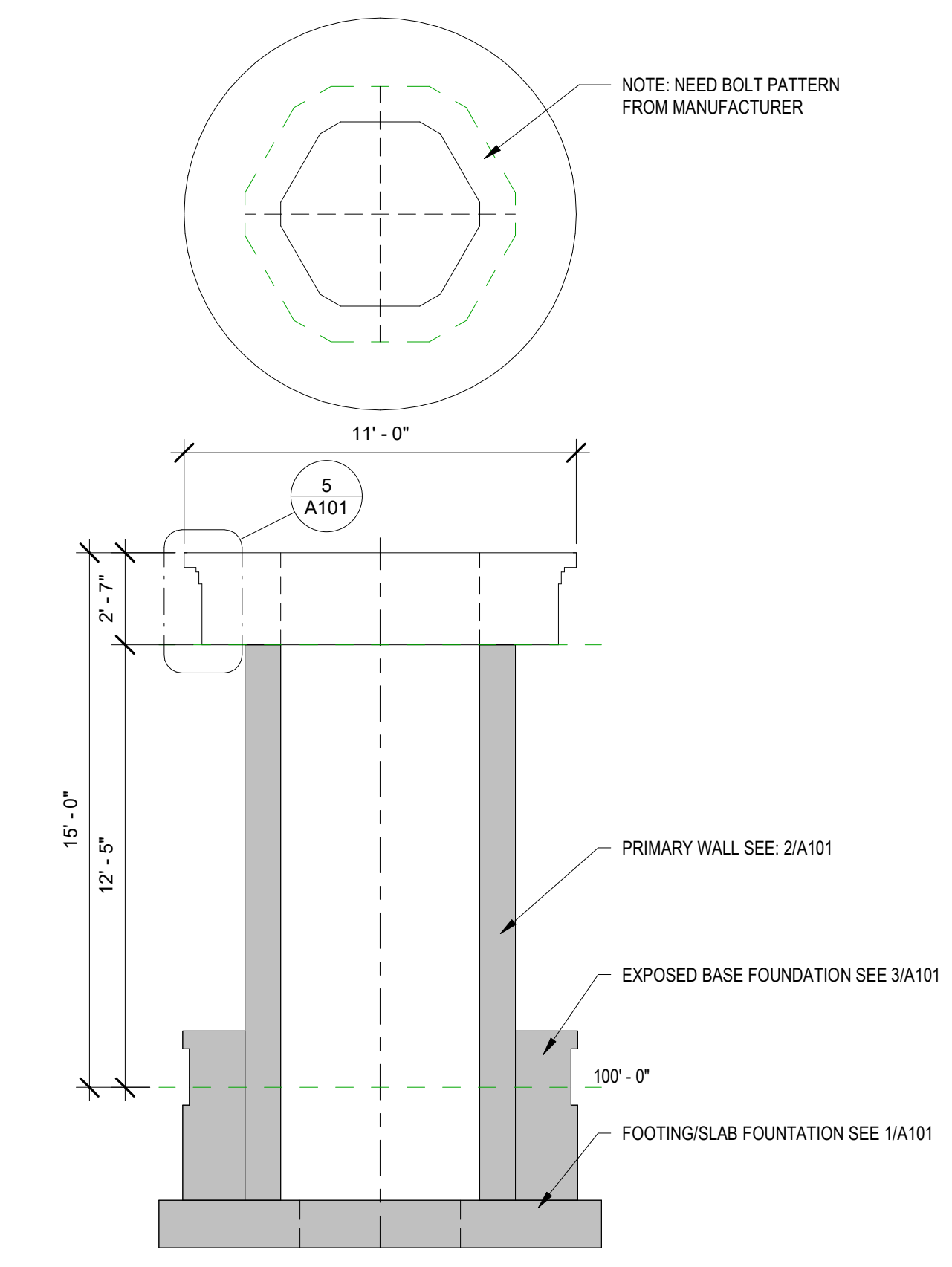
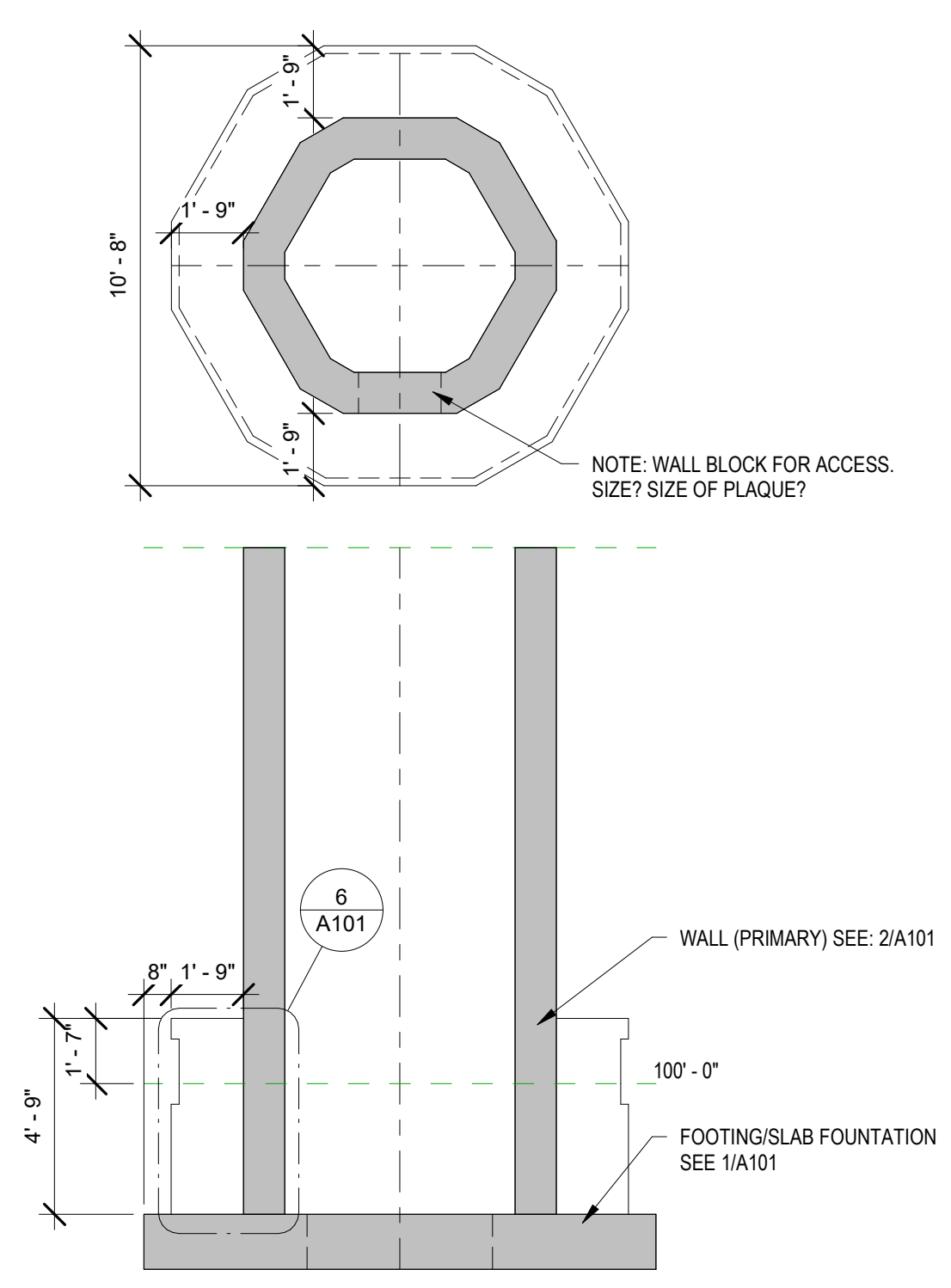


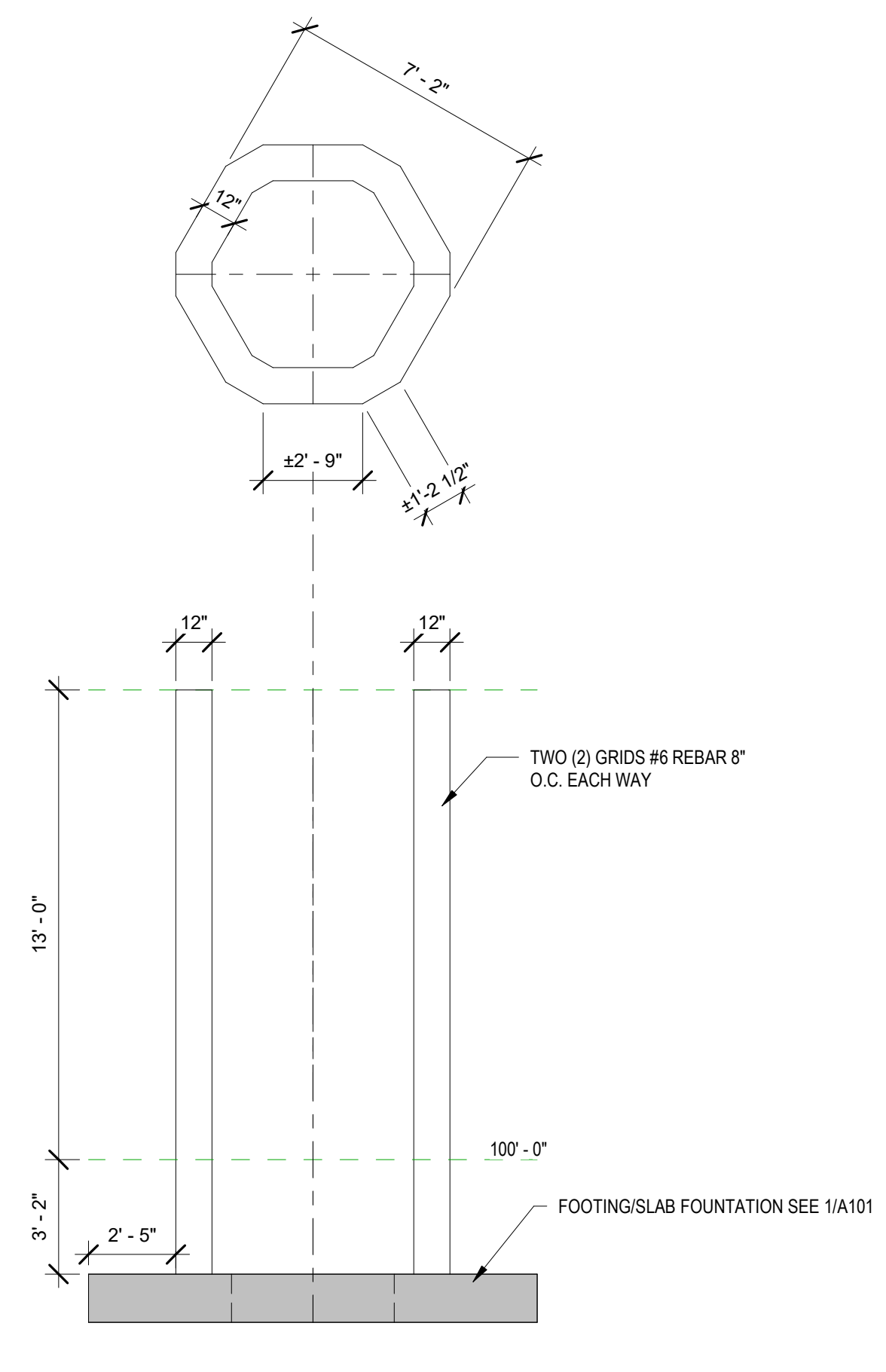
GENERAL NOTES:
 PRELIMINARY. FINAL CONCRETE SIZE, REINFORCEMENT AND DRAWINGS BY STRUCTURAL ENGINEER



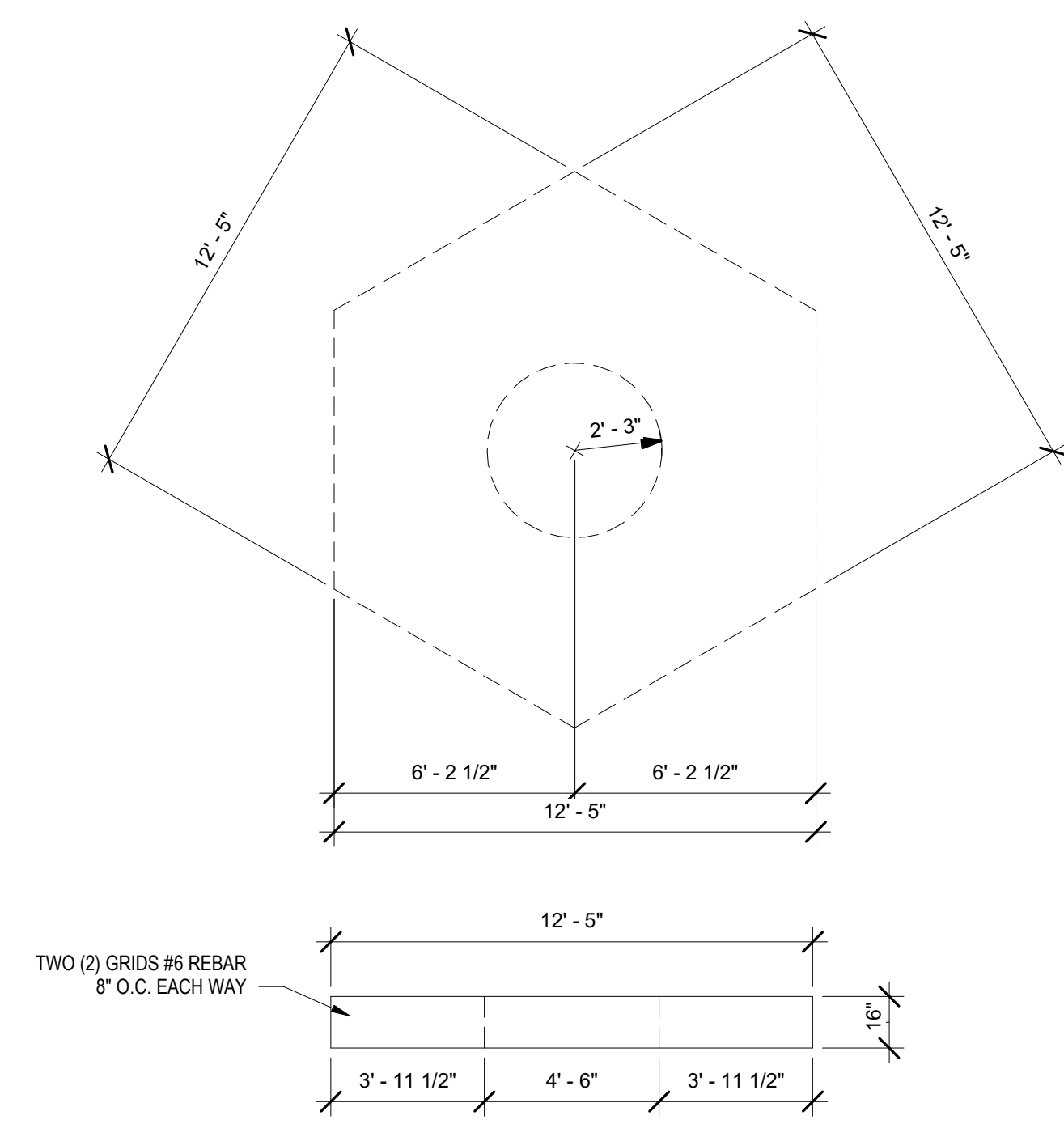
④ CAP
 1/4" = 1'-0"



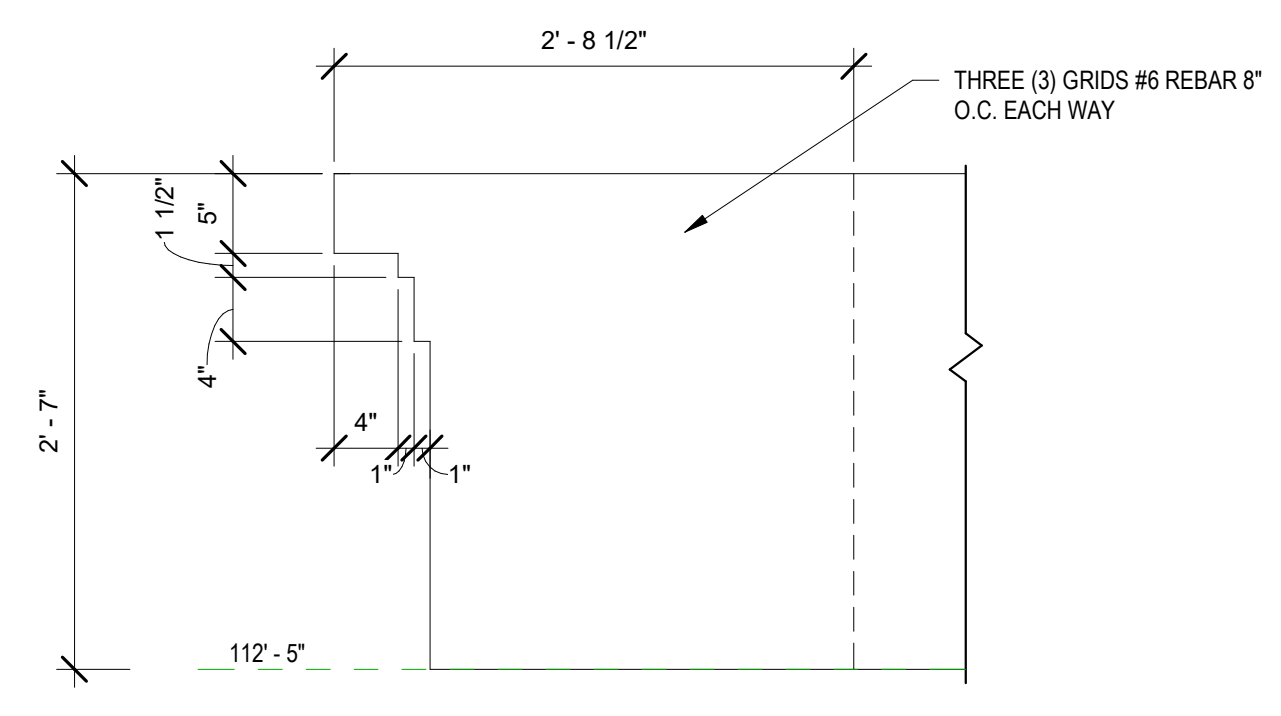
③ EXPOSED BASE FOUNDATION
 1/4" = 1'-0"



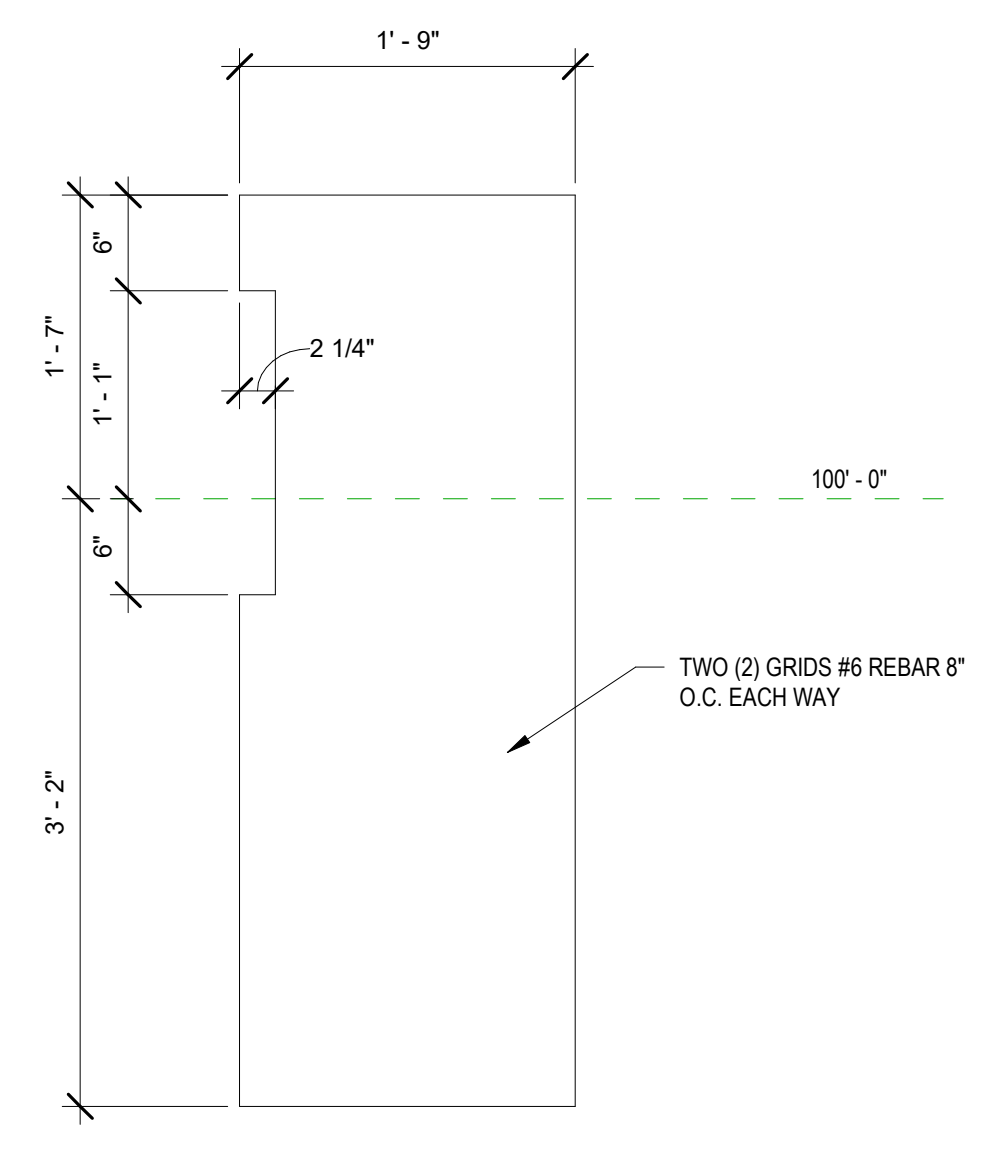
② WALL (PRIMARY)
 1/4" = 1'-0"



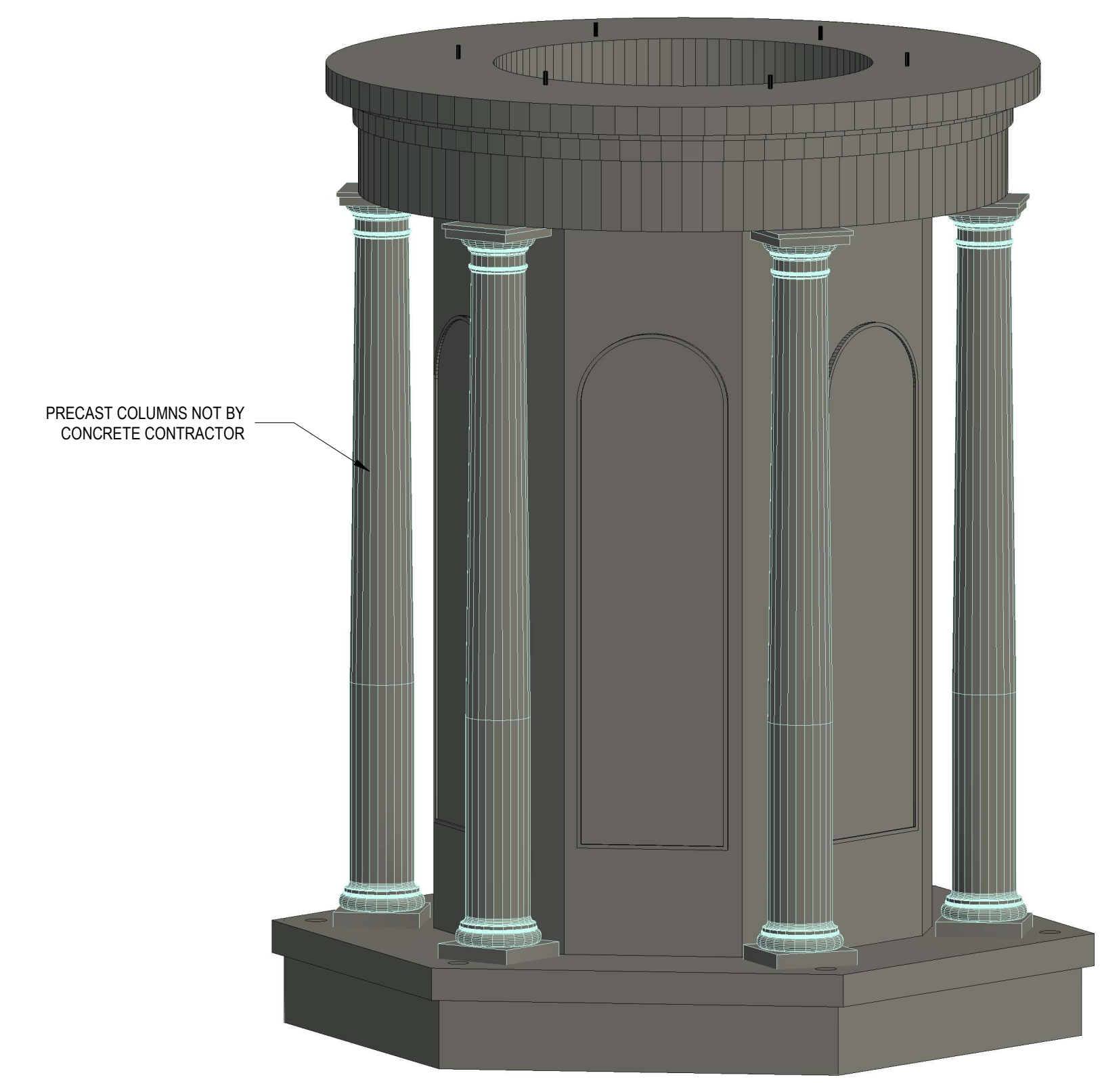
① FOOTING/SLAB
 1/4" = 1'-0"



⑤ CAP PROFILE
 1" = 1'-0"



⑥ EXPOSED BASE FOUNDATION PROFILE
 1" = 1'-0"



⑦ 3D

Architect:

Engineer:

ON ANGELS' WINGS
 Enter address here

Project Manager:
 JIM HAMILTON

Project Number:
 PRELIMINARY

Scale:
 As indicated

Drawn By:
 MCM

4/29/2026 12:47:30 PM

ARCHITECTURAL FLOOR PLAN

A101